



Features:

- Elegant slim profile high power outdoor linear LED luminaires for wall wash and glaze applications to buildings, bridges, monuments.
- Choice of Cree, Lumiled, Osram high power LEDs and high quality beam angle lenses. Light projection distance >10m.
- Special design flat end caps for seamless and continuous light throw when luminaires are placed in-line.
- High Efficient heat dissipation casing design of corrosion resist extruded aluminum and clear tempered glass diffuser. Adjustable tilt stainless steel mounting brackets of various heights available. Patented and certified quick-click waterproof connector for fast and trouble-free installation.
- Customized fixture length and color available for better integration and preservation to architectural intent.
- 24V DC operating input power, constant current drive with contrast level: 65536 for consistent and stable brightness, smooth color changes and long lifespan. DMX control.
- Outdoor, IP 66 rated. Indoor variance available. Anti glare shield (optional).

Technical Specification:

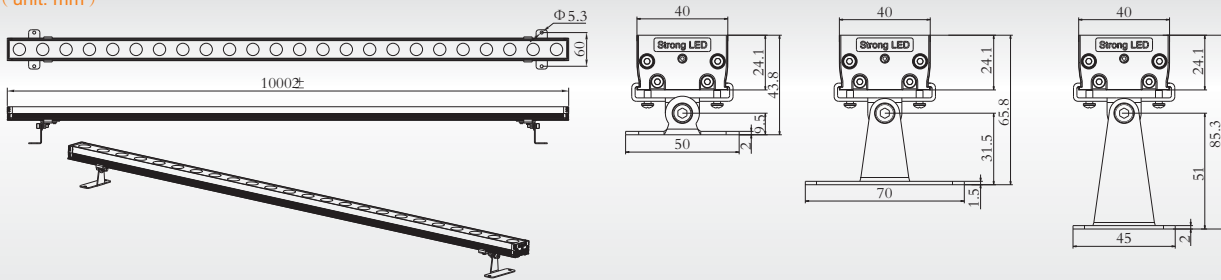
LED Type	CREE XP-E2 / Lumileds Rebel			
LED Quantity	24X(1W)	24X(2W)	12X(1W)	12X(2W)
Power Rating	28.8W	43.2W	14.4W	21.6W
Luminous Flux	2544 lm	3528 lm	1272 lm	1764 lm
Luminous Efficacy	88 lm/W	82 lm/W	88 lm/W	82 lm/W
Brightness Level	256			
Input Voltage	DC24V			
Operating Temperature	-20°C~50°C			
Operating Humidity	10%~95%RH			
Material (Housing)	Corrosion resist extruded aluminum with clear tempered glass diffuser			
Cable Interconnect	PVC cable with patented waterproof connectors ≥250mm			
Dimension _(without mounting bracket)	1000*40*24mm	1000*40*24mm	500*40*24mm	500*40*24mm
Weight	1.76kg	1.76kg	0.88kg	0.88kg
Control Gear	DMX			
Ingress Protection	IP 66			
Life Span	≥50000 hours			
Application	Outdoor			

Color	Standard Specification			
5000K	2544 lm Ra 80	3528 lm Ra 80	1272 lm Ra 80	1764 lm Ra 80
4000K	2472 lm Ra 80	3384 lm Ra 80	1236 lm Ra 80	1692 lm Ra 80
3000K	2280 lm Ra 80	3120 lm Ra 80	1140 lm Ra 80	1560 lm Ra 80
2700K	2040 lm Ra 80	2880 lm Ra 80	1020 lm Ra 80	1440 lm Ra 80
2200K	-	-	-	-
1700K	1920 lm -	2760 lm -	960 lm -	1380 lm -
Blue	792 lm	996 lm	396 lm	498 lm
Amber	1368 lm	1644 lm	684 lm	822 lm
RGB	1520 lm	1840 lm	760 lm	920 lm

LED Type	Beam Angle						
CREE XP-E2	97	157	237	307	15*387	12*30°	
Lumileds Rebel	97	177	237	337	12*317	9*37°	

Dimension Details:

>>> (unit: mm)

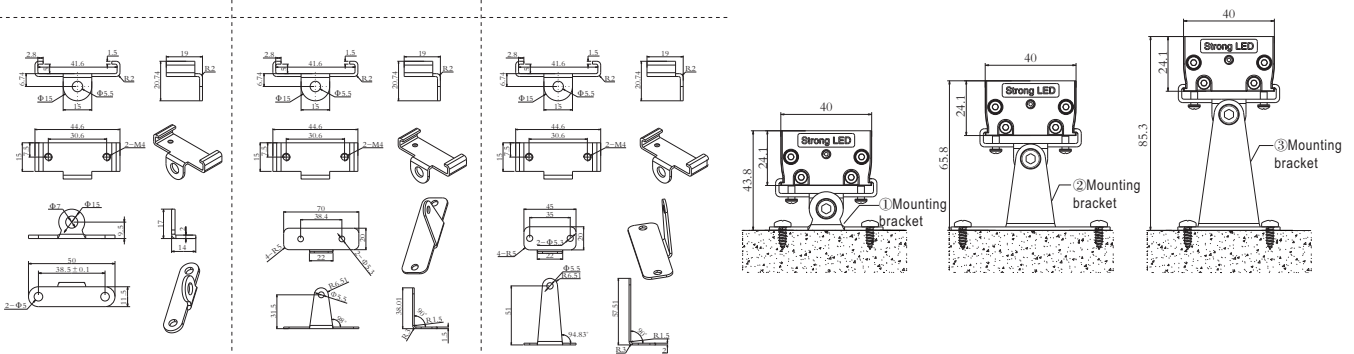


Installation Details:

① Mounting Bracket:
2PCS/m

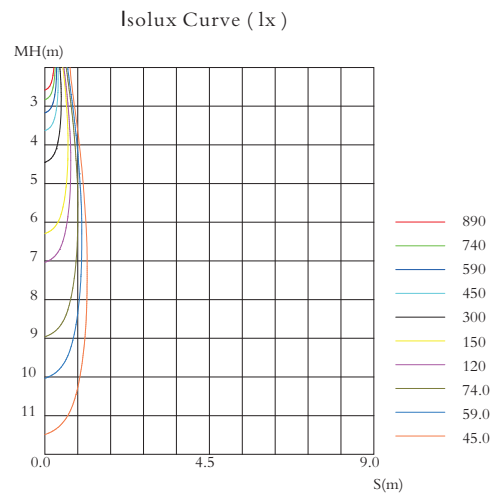
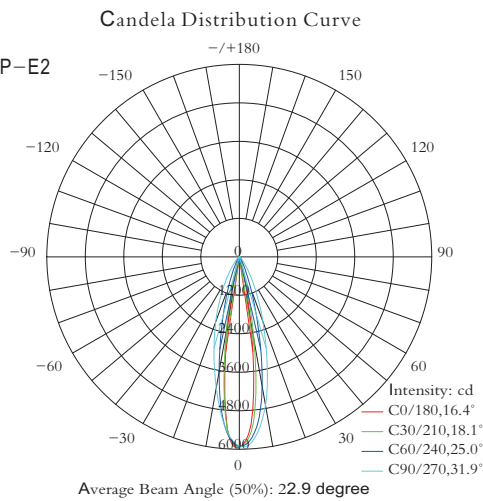
② Mounting Bracket:
2PCS/m

③ Mounting Bracket:
2PCS/m



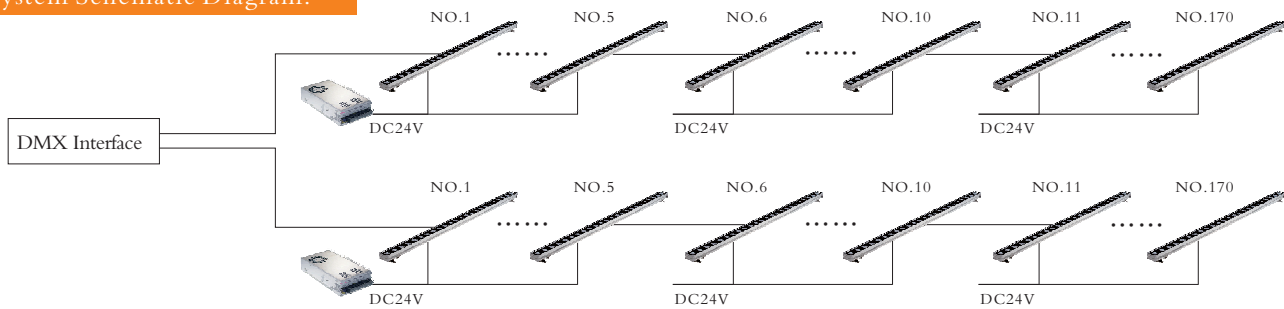
Photometry:

Lamp Source: CREE XP-E2
Beam Angle: 23°



Note: Test data is based on LK2D-M1000-0024CHX-00 only.

System Schematic Diagram:



(Illustration: Each light fixture represents one pixel)



ISO9001:2008

ISO14001:2004

BRITISH HOLDING GROUP
STRONG LED LIGHTING SYSTEMS (CAYMAN) CO., LTD.
SHANGHAI GRAND CANYON LED LIGHTING SYSTEMS CO., LTD.
GRAND CANYON LED LIGHTING SYSTEMS (SUZHOU) CO., LTD.
NO. 2888, Linhu Avenue, Foho Economic Development Zone, Wujiang, Jiangsu Province, China 215211
T: +86-512-82868008 F: +86-512-82868001
www.strongled.com www.strongled.com.tw

StrongLED®